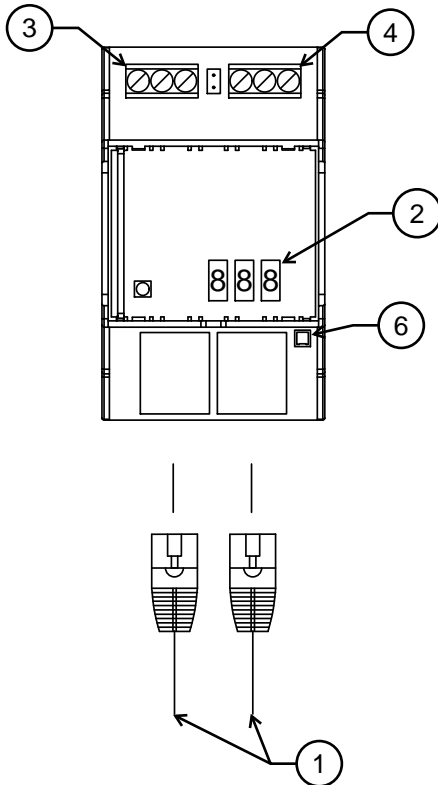
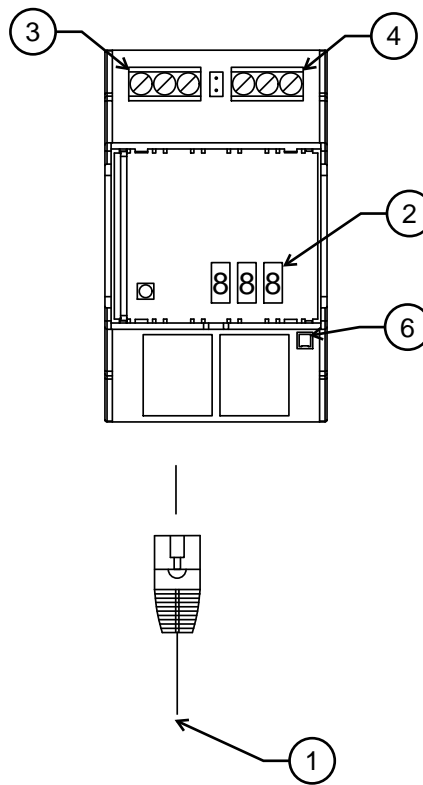


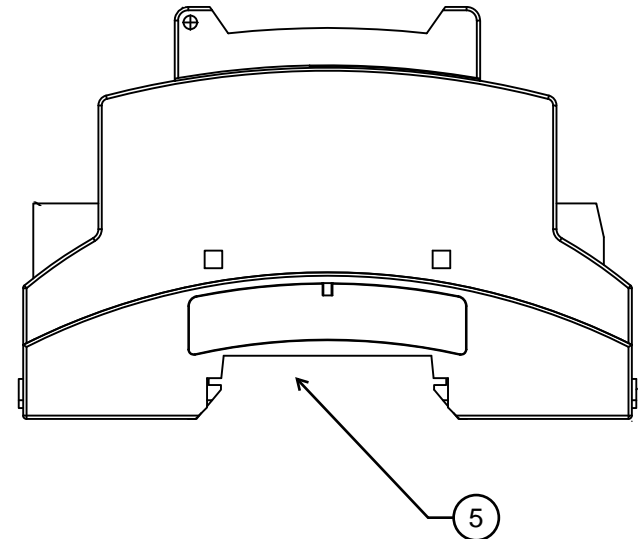
**TWO CABLES CONNECTED
MIDDLE OF BRANCH**



**ONE CABLE CONNECTED
END OF BRANCH**



SIDE VIEW



TIPS / NOTES

1. MINIMUM CAT 5 CABLE - ENSURE CABLES ARE PLUGGED INTO BRANCH PORTS OF LRM'S OR RM'S - DO NOT CONNECT TO SMART PORTS
2. ADDRESS DISPLAY - IF DEVICE HAS COMMUNICATION "AC" WILL BE SHOWN
3. DMX INPUT (CABLE RAN FROM DMX CONSOLE OR CONTROLLER) - RECOMMEND CABLING MEET DMX 512 ELECTRICAL SPECIFICATIONS - ENSURE POLARITY IS CORRECT
4. DMX OUTPUT (CABLE RAN TO LIGHT FIXTURES) - RECOMMEND CABLING MEET DMX 512 ELECTRICAL SPECIFICATIONS - ENSURE POLARITY IS CORRECT
5. CI-DMX IS MOUNTED TO A SUPPLIED PIECE OF DIN RAIL
6. END-OF-LINE RESISTOR BUTTON - IF TWO CABLES ARE CONNECTED, LEAVE WHITE BUTTON OUT. IF ONE CABLE IS CONNECTED TOGGLE WHITE BUTTON IN AND GREEN LED WILL ILLUMINATE

CONNECTIVITY DIAGRAM

COMPONENT LIST

1. MSTR-DVOLT-2 (DOOR OPEN)
2. SBB1
3. LRM OR LIM
4. RD PANEL
5. SW-TS-M
6. SMOAS
7. TSUI
8. RM
9. WS-TS-C
10. SS-2B
11. SS-SF

CABLE LEGEND

- = eNET (CAT5)
- = BRANCH NETWORK (CAT 5)
- = SMART NETWORK (CAT 5)
- = 16/2 POWER CABLE

NOTE: ALL COMPONENTS MAY NOT BE PRESENT. DIAGRAM IS ONLY INTENDED TO SHOW CONNECTION POINTS BETWEEN COMPONENTS

