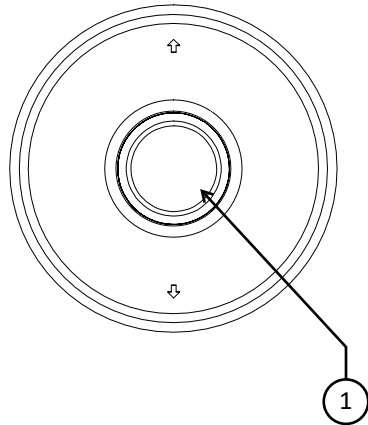
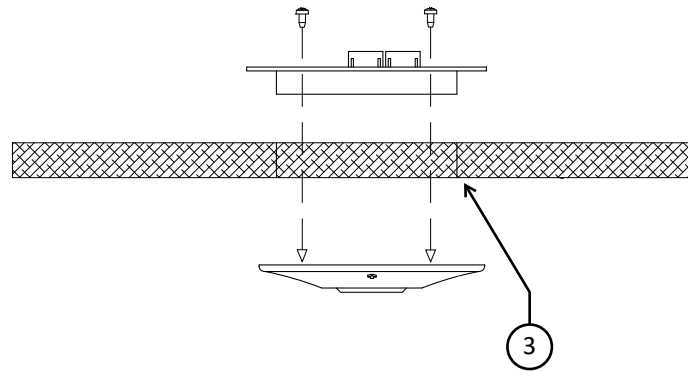


FRONT OF OCCUPANCY SENSOR



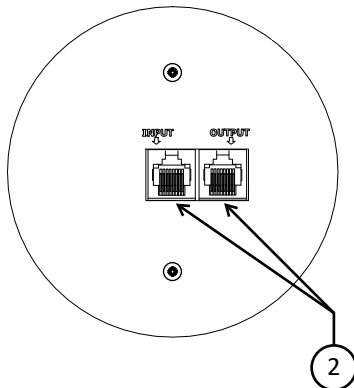
**RECESSED MOUNTING
(DROP CEILINGS)**



TIPS / NOTES

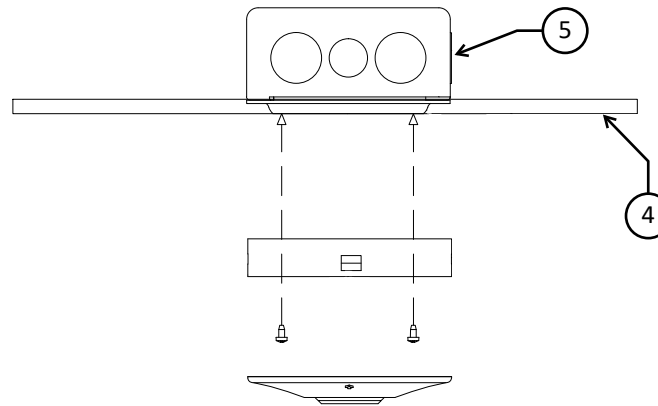
1. PIR FRESNEL LENS AND LED INDICATOR (SEE BELOW FOR LED INDICATION)
2. SMART PORTS - MINIMUM CAT 5 CABLE - DO NOT CONNECT TO BRANCH PORTS
3. ACOUSTICAL CEILING TILE - 1/2" TO 3/4" - CUT OUT SIZE IS 3-1/4" DIAMETER
4. DRYWALL OR OTHER PERMANENT HARD SURFACE
5. STANDARD 4 SQUARE ELECTRICAL BOX OR OCTAGON BOX WITH CIRCLE MUD RING

BACK OF OCCUPANCY SENSOR



NOTE: LABELED INPUT AND OUTPUT PORTS ARE FOR CABLE IDENTIFICATION ONLY - PORTS ARE ELECTRICALLY IDENTICAL & CAN BE INTERCHANGED.

**SURFACE MOUNTING
(HARD CEILINGS)**

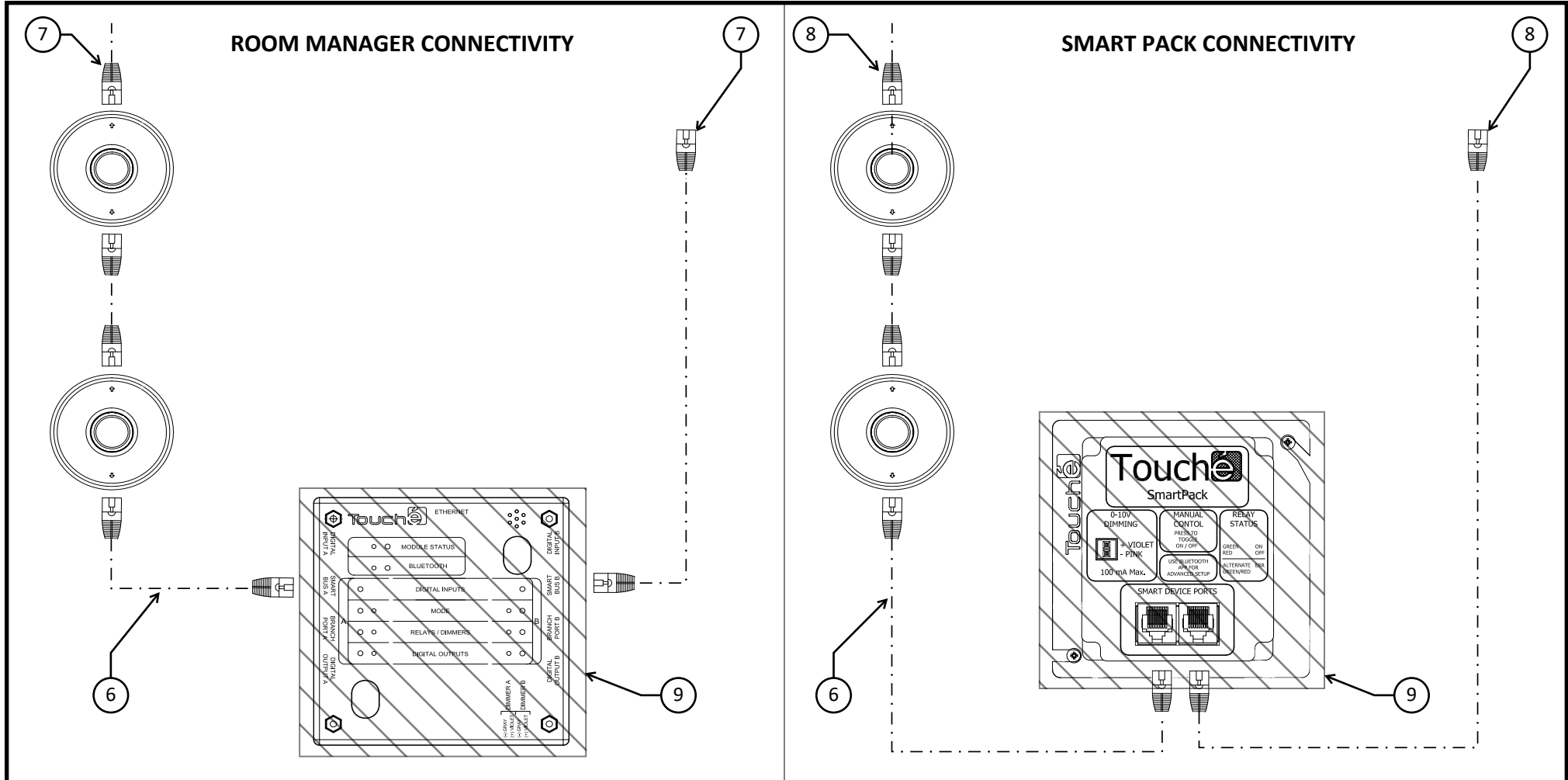


LED INDICATION

RED = CONNECTED TO PRIMARY BRANCH. MOVE CABLE TO SMART BRANCH

OFF = NO POWER TO OCC. CHECK SMART BUS CABLING

CONNECTIVITY



TIPS / NOTES

- 6. SMART NET CABLING - CAT 5 (MINIMUM) CABLE
- 7. TO NEXT ROOM MANAGER SMART DEVICE - 8 SMART DEVICES PER PORT WITH 20 DEVICES TOTAL PER ROOM MANAGER
- 8. TO NEXT SMART PACK SMART DEVICE - 10 SMART DEVICES TOTAL PER SMART PACK
- 9. DEVICE NOT INCLUDED

CONNECTABLE SMART DEVICES

- SMAOS
- SS-2B
- SS-SF
- SES-D010
- SES-R
- SLC-D010
- SLC-R
- SCC-D010